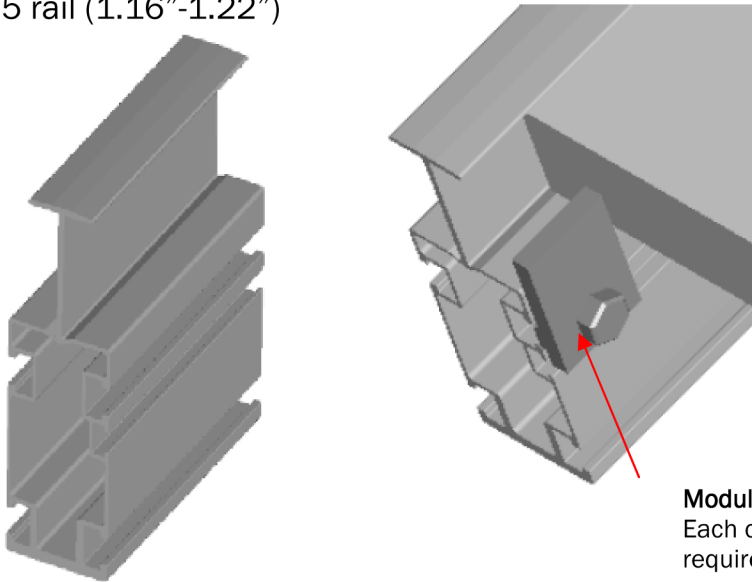


PV RACKING GROUND RAIL TECHNICAL DATASHEET

PV Racking Ground Mount Rail G135 rail (1.16"-1.22")



*If installing modules in landscape, the module frame must be approved for mounting on the short side

Rail

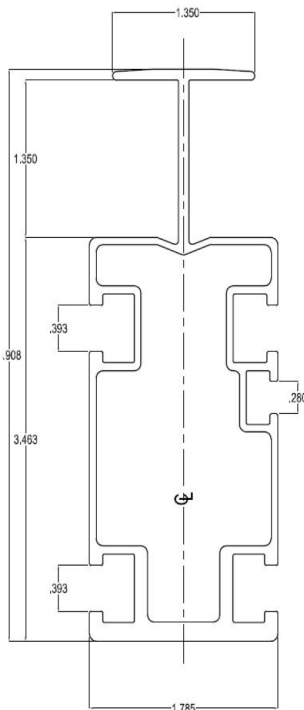
- Standard Finish: Mill finish
- Optional Finish: Clear or Black anodized

Module Stopper (GStp) Hardware

- 3/8-16 x 3/4 stainless steel hex head cap screw
- 3/8-16 serrated flange nut

Module Stopper

Each column of modules requires two stoppers

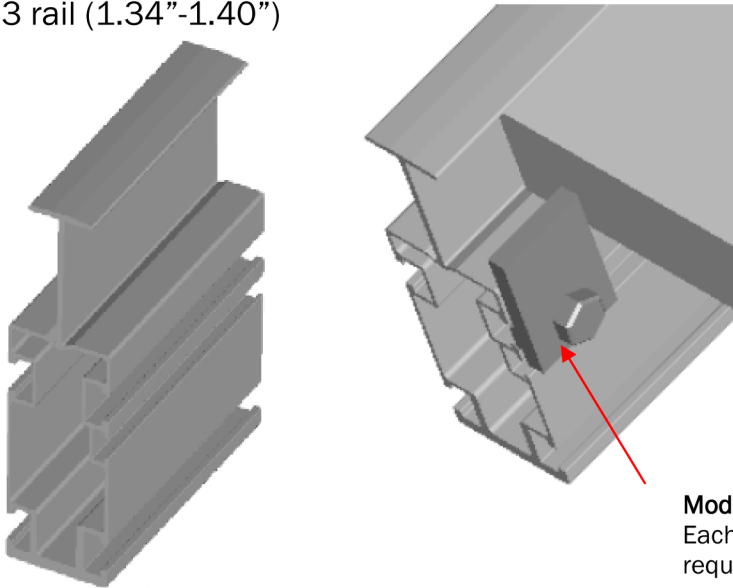


Rail Material	6105-T6
Rail Weight	1.64 lb/ft
Area	1.454 SQ. IN
Perimeter	32.487"
Radius of Gyration, r (X-X)	.584"
Radius of Gyration, r (Y-Y)	1.612"
Moment of Inertia, I (X-X)	.496 IN ⁴
Moment of Inertia, I (Y-Y)	3.778 IN ⁴
Section Modulus, S (X-X)	.550 IN ³
Section Modulus, S (Y-Y)	1.297 IN ³

PV RACKING GROUND RAIL TECHNICAL DATASHEET

PV Racking Ground Mount Rail

G153 rail (1.34"-1.40")



*If installing modules in landscape, the module frame must be approved for mounting on the short side

Rail

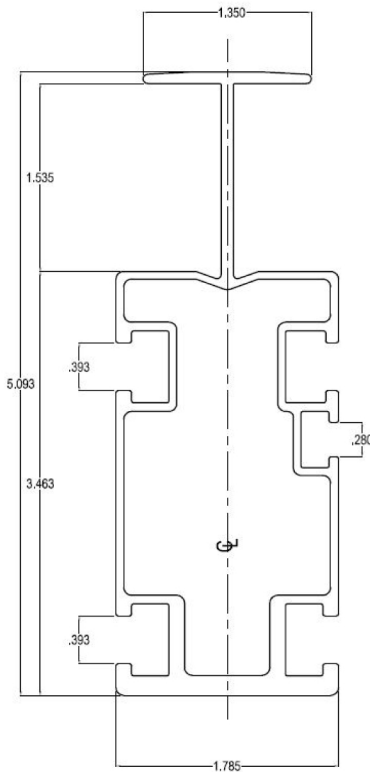
- Standard Finish: Mill finish
- Optional Finish: Clear or Black anodized

Module Stopper (GStp) Hardware

- 3/8-16 x 3/4 stainless steel hex head cap screw
- 3/8-16 serrated flange nut

Module Stopper

Each column of modules requires two stoppers

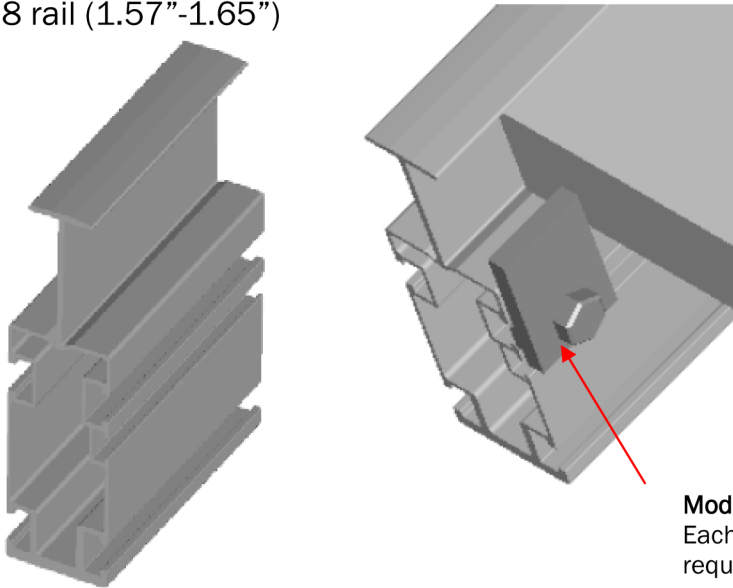


Rail Material	6105-T6
Rail Weight	1.772 lb/ft
Area	1.4725 SQ. IN
Perimeter	32.8547"
Radius of Gyration, r (X-X)	.5803"
Radius of Gyration, r (Y-Y)	1.6606"
Moment of Inertia, I (X-X)	.4959 IN ⁴
Moment of Inertia, I (Y-Y)	4.0605 IN ⁴
Section Modulus, S (X-X)	.5505 IN ³
Section Modulus, S (Y-Y)	1.3328 IN ³

PV RACKING GROUND RAIL TECHNICAL DATASHEET

PV Racking Ground Mount Rail

G178 rail (1.57"-1.65")



*If installing modules in landscape, the module frame must be approved for mounting on the short side

Rail

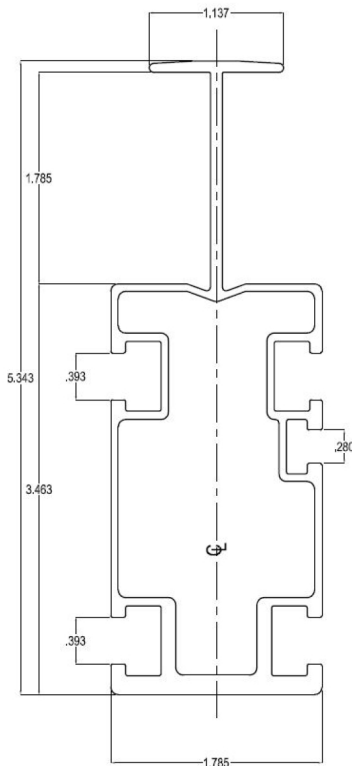
- Standard Finish: Mill finish
- Optional Finish: Clear or Black anodized

Module Stopper (GStp) Hardware

- 3/8-16 x 3/4 stainless steel hex head cap screw
- 3/8-16 serrated flange nut

Module Stopper

Each column of modules requires two stoppers

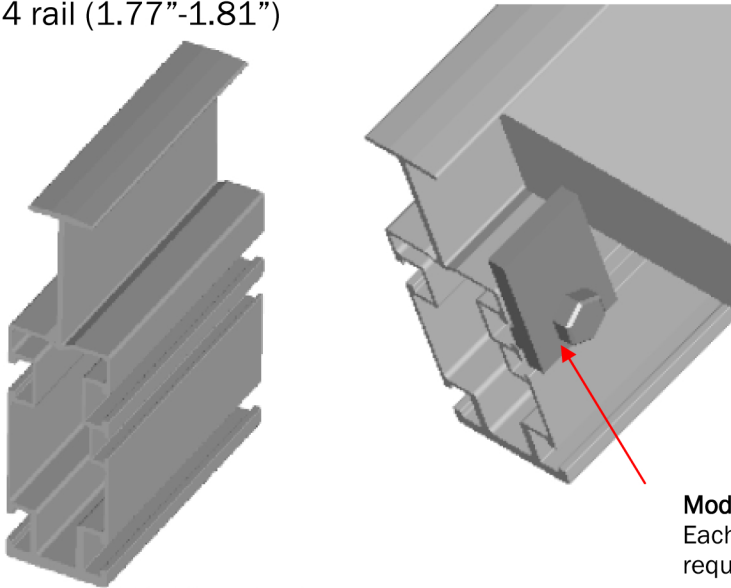


Rail Material	6105-T6
Rail Weight	1.78 lb/ft
Area	1.483 SQ. IN
Perimeter	32.845"
Radius of Gyration, r (X-X)	.578"
Radius of Gyration, r (Y-Y)	1.696"
Moment of Inertia, I (X-X)	.495 IN ⁴
Moment of Inertia, I (Y-Y)	4.266 IN ⁴
Section Modulus, S (X-X)	.547 IN ³
Section Modulus, S (Y-Y)	1.304 IN ³

PV RACKING GROUND RAIL TECHNICAL DATASHEET

PV Racking Ground Mount Rail

G194 rail (1.77"-1.81")



*If installing modules in landscape, the module frame must be approved for mounting on the short side

Rail

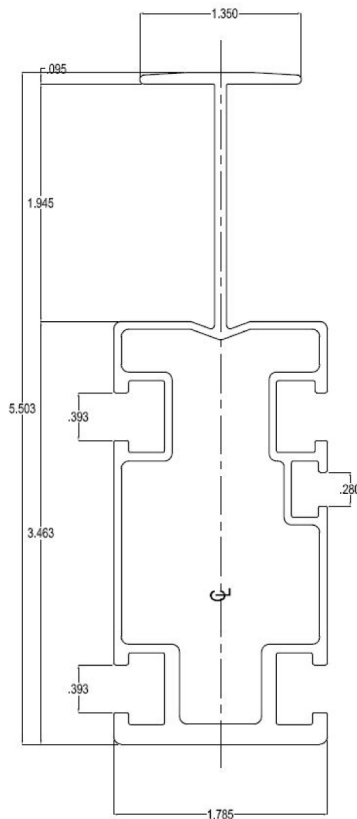
- Standard Finish: Mill finish
- Optional Finish: Clear or Black anodized

Module Stopper (GStp) Hardware

- 3/8-16 x 3/4 stainless steel hex head cap screw
- 3/8-16 serrated flange nut

Module Stopper

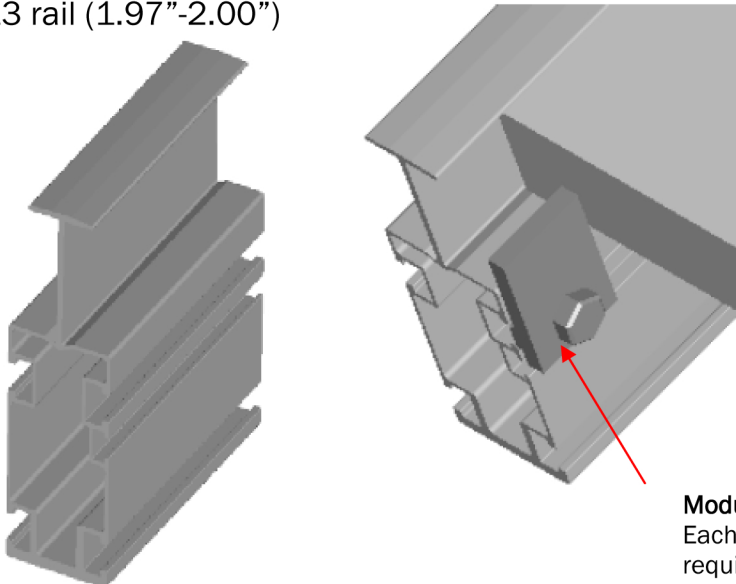
Each column of modules requires two stoppers



Rail Material	6105-T6
Rail Weight	1.821 lb/ft
Area	1.5135 SQ. IN
Perimeter	33.6747"
Radius of Gyration, r (X-X)	.5724"
Radius of Gyration, r (Y-Y)	1.7734"
Moment of Inertia, I (X-X)	.4959IN ⁴
Moment of Inertia, I (Y-Y)	4.7599 IN ⁴
Section Modulus, S (X-X)	.5505 IN ³
Section Modulus, S (Y-Y)	1.4256 IN ³

PV RACKING GROUND RAIL TECHNICAL DATASHEET

PV Racking Ground Mount Rail G213 rail (1.97"-2.00")



*If installing modules in landscape, the module frame must be approved for mounting on the short side

Rail

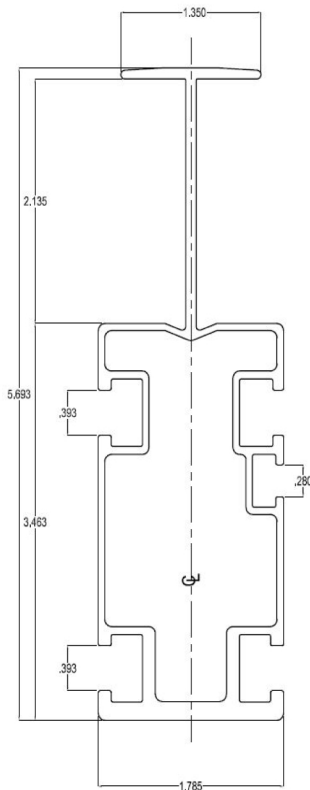
- Standard Finish: Mill finish
- Optional Finish: Clear or Black anodized

Module Stopper (GStp) Hardware

- 3/8-16 x 3/4 stainless steel hex head cap screw
- 3/8-16 serrated flange nut

Module Stopper

Each column of modules requires two stoppers



Rail Material	6105-T6
Rail Weight	1.844 lb/ft
Area	1.5325 SQ. IN
Perimeter	34.0547"
Radius of Gyration, r (X-X)	.5688"
Radius of Gyration, r (Y-Y)	1.8277"
Moment of Inertia, I (X-X)	.4959 IN ⁴
Moment of Inertia, I (Y-Y)	5.1195 IN ⁴
Section Modulus, S (X-X)	.5508 IN ³
Section Modulus, S (Y-Y)	1.4741 IN ³